

Swing Door Automation

Swing Door Automation

(PN 11370)



Powerful Electromechanical automation is the perfect choice where reliable performance and superior safety is of the highest importance.

Powerful Operation

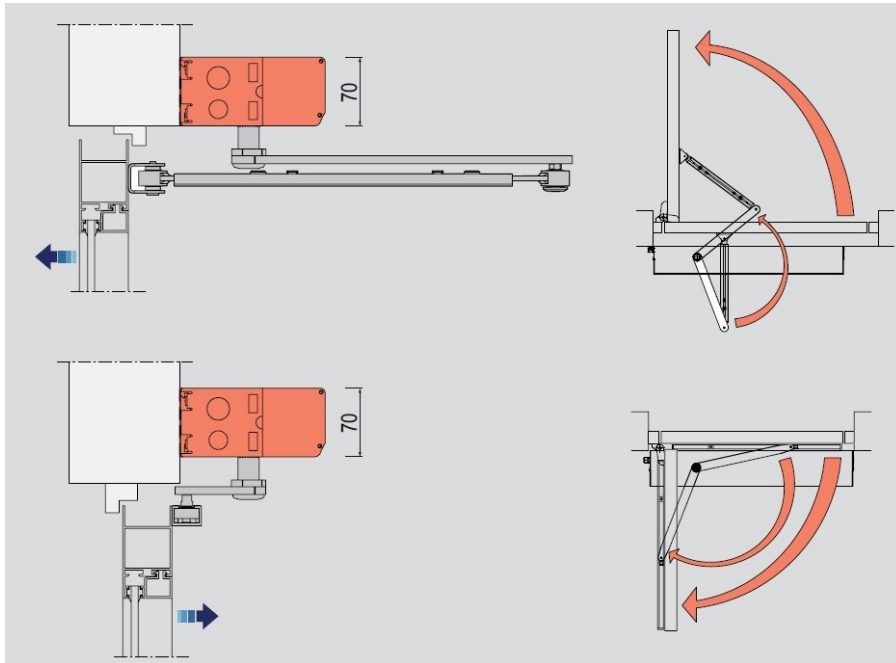
This electromechanical swing door operator is safe to use for all, despite age and physical ability. One of the more intelligent and silent swing door operators available on the market. The operator is truly reliable during all weather conditions as it is not affected by stack pressure and wind load when opening and/or closing. The door can easily be manually opened due to sensor detection ensuring the lowest manual opening force possible.

Safety

In case of an obstruction by a person or object, the obstruction control ensures stop on stall and reverse operation.

Furthermore, the swing door operator is fully compliant with European standards and fire approved, making it ideal for creating and maintaining security, smoke and fire zones.

Swing Door Automation



Technical Specifications:

Power Supply:	100-240Vac, +10/-15%, 50/60Hz
Power Consumption:	Max 300W
Auxiliary Voltage:	24Vdc (Max 700mA)
Maximum Door Weight:	Push: 140Kg/m ² Pull: 80Kg/m ²
Lock Output:	12Vdc (Max 1200mA) 24Vdc (Max 600mA)
Ambient Temperature:	-20° to + 45° C
IP Rating:	IP20 (with standard canopy)
Humidity Rating:	95% non condensing

Standard Cover: anodized aluminium with end plates made of black painted steel

Dimensions: Height - 70mm
Depth - 148mm
Width—840 mm